

DVH 655 E

The DVH-concept of pedestrian operated vibrating rollers has pointed the way ahead on the market for a long time.

We took a different approach when specifying the design, ease of operation and safety features of our DVH rollers. The model DVH 655 E is a successful continuation of this tradition and has been developed to be a more safer and easier to operate machine.

A new travel drive system increases the DVH 655 E's operating safety and numerous technical features incorporated in the compactor prove that we manufacture the right product required on the job-site.



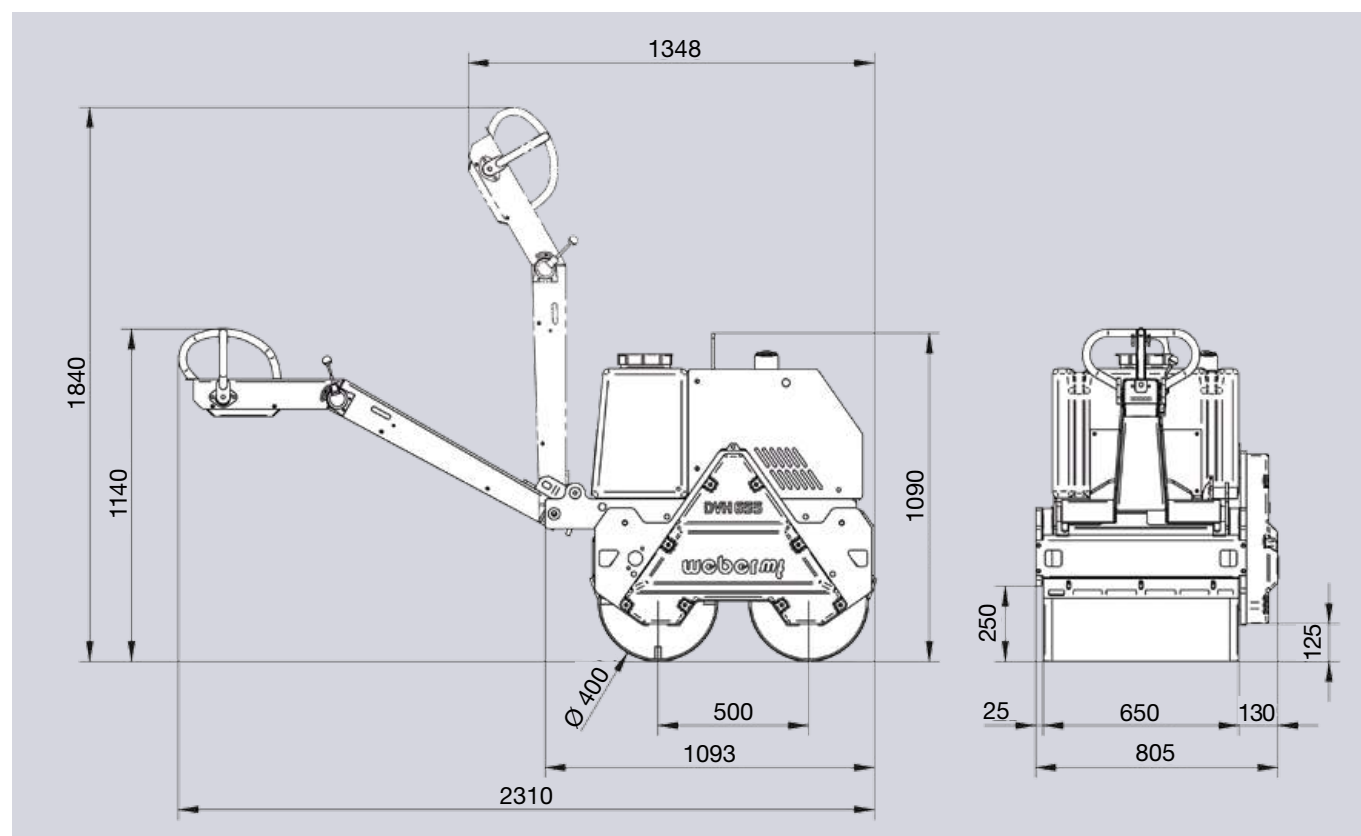
Advantages

- ▶ Resiliently mounted guide bar with multiple vibration absorbers ensures a non-fatiguing work place for the operator.
- ▶ Low maintenance and easily accessible Diesel engine mounted at the front of the machine.
- ▶ Tank mounted at the rear of the roller as additional sound protection for the operator.
- ▶ Engine with an electric starter.
- ▶ Hinged guide bar can be swung up and locked in the upright position for easy transport.
- ▶ The slim side of the roller is free from protruding components for compacting right up to lateral obstructions.
- ▶ High ground clearance.
- ▶ Central lifting lug for safe and easy hoisting.
- ▶ Four lashing points for safe truck transport.
- ▶ Cooler fan for the engine compartment and hydraulics for increased protection against overheating.
- ▶ Water tank and tubing made of non-corroding and durable PVC.

Technical features

| Type | DVH 655 E | |
|--|------------------------|-------------------|
| Service weight as per CECE | kg (lbs) | 732 (1615) |
| Drum width | mm (in.) | 650 (25.6) |
| Drum diameter | mm (in.) | 400 (16) |
| Centrifugal force | kN (lbs) | 21 (4750) |
| Frequency | Hz (r.p.m) | 62 (3720) |
| Engine manufacturer | Lombardini / 15 LD 420 | |
| Engine type | Diesel | |
| Engine output, max. | kW/HP | 7,3 (10,0) |
| Engine power output at operation speed | kW (HP) at r.p.m. | 6,3 (8,6) at 3300 |
| Working speed | m/min (ft/min) | 0-75 (0-250) |
| Water tank capacity | L (gal) | 60 (15.9) |

We reserve the right to amend the specifications without prior notice.



Dimensions in mm.

Weber Maschinentechnik GmbH

Im Boden 5-8 · 57334 Bad Laasphe · Germany · P. O. Box 101465 · 57326 Bad Laasphe · Germany

Phone +49 (0) 27 54 / 3 98-0 · Fax +49 (0) 27 54 / 3 98-101 · info@webermt.de · www.webermt.de